

# Vivid™ Direct Glaze

Unit Features.....	1
Special Shapes Chart.....	4
Minimum and Maximum Guidelines .....	5
Measurement Conversions (Rectangles).....	6
Certification Sizes and Ratings .....	7
Standard Size Chart (Rectangles).....	8
STC/OITC Charts .....	9
Mulling Information.....	11
Section Details: Dual Pane IG.....	14
Section Details: Triple Pane IG .....	15
Jamb Extension Options .....	16
Divided Lite Options .....	17
Divided Lite Patterns .....	18



## Unit Features

Vivid™ Direct Glaze Rectangle: VDG

### Frame:

- The frame exterior is made of Ultrex, an advanced pultruded fiberglass material that is resistant to thermal expansion and contraction.
- The frame interiors are made of a proprietary fiberglass reinforced composite material that is extruded into profiles.
- Color Options:
  - Exterior colors: Stone White, Pebble Gray, Bronze, or Ebony.
  - Interior colors: Ebony or Stone White.
  - Color selection may optionally differ from the interior color selection of the window frame.
- Frame Depth: 3 5/8" (92)
- Jamb Depth: 2 1/2" (64)
- Frame Dimensions: 3 5/8" (92) x 1 5/8" (41)
- Structural components of the frame are Ultrex on the exterior and fiberglass-reinforced composite on the interior.
- Integrated drywall return
- Corner Construction
  - Right angle with 45-degree Ultrex miter and injection molded corner key.

### Jamb Extension:

- Factory applied pine painted to interior finish color.
- Standard jamb depth is 2 1/2" (63).
- Extension available in three widths:
  - For 4 9/16" jamb depth, 37/64" (15) x 2 1/4" (57)
  - For 6 9/16" jamb depth, 37/64" (15) x 4 1/4" (108)
  - For 6 13/16" jamb depth, 37/64" (15) x 4 1/2" (114)
- Default color will match the unit interior selection. Color selection may optionally differ from the interior color selection of the window frame.

### Installation:

- Factory applied rigid nailing fin is standard.
- If specified on order, structural brackets for masonry applications are available in place of the rigid nailing fin.
- If specified on the order, through-jamb screws are available in place of or in addition to the rigid nailing fin.
- All units include pre-drilled holes for through jamb screws.
- Through-jamb installation is standard on Insert applications.

---

**Unit Features Continued****RECTANGLES ONLY:****Interior / Exterior Simulated Divided Lites (SDL):**

- Interior bar: Fiberglass Reinforced Composite, 7/8" (22) wide bars, finish to match interior.
- Exterior bar: Ultrex, 7/8" (22) wide bars, finish to match exterior.
- Pattern: Rectangular, Prairie, Cottage, or Horizontal Trellis style cuts.
- Special size Direct Glaze Rectangle units will default to a 10" (254) daylight opening with a minimum 4" (102) daylight opening available. Due to size limitation, 6 or 9 lite Prairie cut may apply. Default is 9 lite for stand alone units.
- Simulated check rail option: 2" (51). Pattern available: simulated rail in standard center or center specified location with 2" (51) patterns above, below or both in patterns of rectangular equal lite or prairie lite cuts.
- SDL with spacer bar available in standard rectangle only with standard lite patterns.
- For triple pane units, the spacer bar is located in both air spaces.
- SDL is unavailable with rain, reed and narrow reed decorative glass. Glue chip requires tempered glass. Tinted glass is not available with spacer bar.

**Grilles-Between-The-Glass (GBG):**

- 23/32" (18) roll-form contoured aluminum bar placed between two panes of glass.
  - Pattern: rectangular, 6 or 9 lite Prairie cut, or Cottage style cut.
  - Color Options:
    - Exterior color: Stone White, Pebble Gray, Bronze, or Ebony.
    - Interior Color: Stone White, Ebony, or Obscure glass.
    - Color selection may optionally differ from the interior color selection of the window frame.
  - For triple pane units, the GBG bar is located in both air spaces.
  - GBGs are not available on tint-glazed units.

**Exterior Casing:**

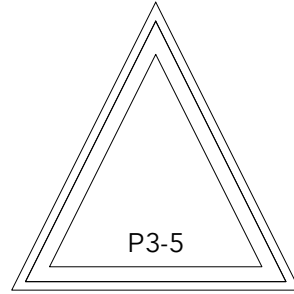
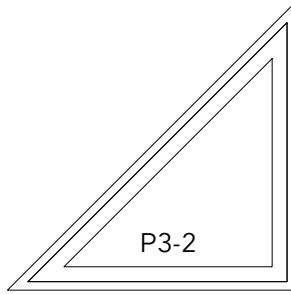
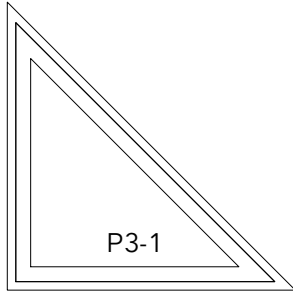
- Non-integral to the unit.
- Field applied only
- Fastened to the exterior wall with barb and kerf: 2" (51) brick mould casing. Extends 1 11/16" (43) from frame.
- 3 1/2" (89) flat casing available as full surround or with sill nosing. Extends 3 3/16" (81) from frame.
- Sill Nosing extends 1 11/16" (43) from frame
- Also available with 1" (25) ranch style sill and header overhang.
- Color selection may optionally differ from the exterior color selection of the window frame.

---

**Unit Features Continued****Glass**

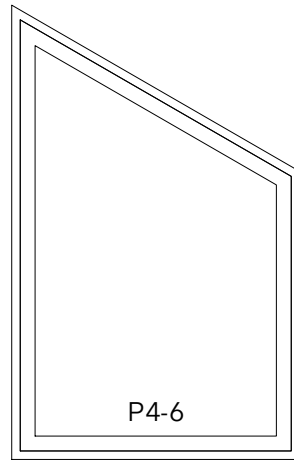
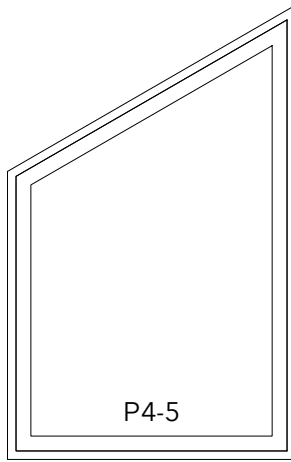
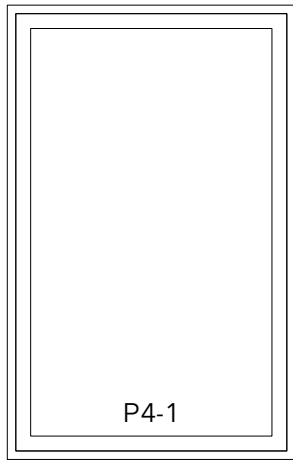
- Glazing Seal: Silicone bedding on exterior with glazing tape on interior
- Standard Glass Makeups:
  - Variable glass thickness insulating glass with Low E2, and Argon gas.
- Gas Fill Options: Argon or Air
- Additional Glass Coating Options:
  - Low E1, Low E2/ERS, Low E3, Low E3/ERS, LowE2/ERS, Clear
- Available Glass Types:
  - Triple Pane, Laminate, STC/OITC upgrade, Tempered, Decorative, and California Fire glass (annealed exterior and tempered interior glazing configuration).
- Decorative glass options: Obscure, Glue Chip, Rain, Reed, Narrow Reed, Frost, Tinted (bronze, gray, or green).
- Decorative glass options may be limited due to glass makeup and Low E configurations.
- SDL not available on Rain, Reed and Narrow Reed
- SDL available on Obscure and Frost. Available on annealed or tempered glass.
- SDL available on Glue Chip; tempered glass required.
- Insulating glass will be altitude adjusted with capillary tubes for higher elevations
  - Glass air spaces with capillary tubes are considered air filled

**Special Shapes Chart**



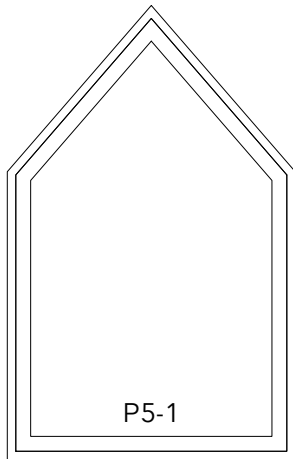
90° Triangles

Isosceles Triangle



Rectangle

Trapezoids



Pentagon

**Minimum and Maximum Guidelines**

Unit Type	Pane Type	Frame Size									Glass Limits		
		Min Width		Min Height		Max Long Frame Dim		Max Short Frame Dim		Max Area	Max Glass Area		
		in	mm	in	mm	in	mm	in	mm	ft <sup>2</sup>	ft <sup>2</sup>	m <sup>2</sup>	
VDG RECTANGLE	Dual	12 7/8	(327)	12 7/8	(327)	120	(3048)	72 7/8	(1851)				
	Dual	12 7/8	(327)	12 7/8	(327)	105 7/8	(2689)	85 3/8	(2169)				
	Triple - Tempered	12 7/8	(327)	12 7/8	(327)	99 7/8	(2537)	61 7/8	(1572)				
	Triple - Tempered	12 7/8	(327)	12 7/8	(327)	101 7/8	(2588)	59 7/8	(1521)				
	Triple - Annealed	12 7/8	(327)	12 7/8	(327)	101 7/8	(2588)			37.887**	32.434**	3.013	

NOTE: \*\*May be less depending on the aspect ratio; refer to OMS.

Unit Type	Pane Type	Frame Size										Glass Limits		
		Min Width		Min Height		Min Frame S1 ****		Max Long Frame Dim		Max Short Frame Dim		Max Area	Max Glass Area	
		in	mm	in	mm	in	mm	in	mm	in	mm	ft <sup>2</sup>	ft <sup>2</sup>	m <sup>2</sup>
VDG Special Shapes	Dual	14 1/2	(368)	14 1/2	(368)	8 1/2	(216)	120	(3048)	72 7/8	(1851)			
	Dual	14 1/2	(368)	14 1/2	(368)	8 1/2	(216)	105 7/8	(2689)	85 3/8	(2169)			
	Triple - Tempered	14 1/2	(368)	14 1/2	(368)	8 1/2	(216)	99 7/8	(2537)	61 7/8	(1572)			
	Triple - Tempered	14 1/2	(368)	14 1/2	(368)	8 1/2	(216)	101 7/8	(2588)	59 7/8	(1521)			
	Triple - Annealed	14 1/2	(368)	14 1/2	(368)	8 1/2	(216)	101 7/8	(2588)			37.887**	32.434**	3.013

NOTE: All special shapes shall be defined by the enclosing rectangle

\*\*May be less depending on the aspect ratio; refer to OMS.

Minimum Angle on 15 degrees

For P5, Frame heights over 96" - S1 must be no less than half of the frame height.

**Measurement Conversions (Rectangles)**

From	To	Width		Height	
		in	mm	in	mm
<b>Frame Measurements</b>					
Masonry Opening	Rough Opening	+ 1/2	(13)	+ 1/4	(6)
OM of Frame	Rough Opening	+ 1	(25)	+ 1/2	(13)
Glass Size	Rough Opening	+ 2 57/64	(73)	+ 2 25/64	(61)
Daylight Opening	Rough Opening	+ 4 1/4	(108)	+ 3 3/4	(95)
Masonry Opening	Inside Opening	-1/8	(3)	0	( )
OM of Frame	Inside Opening	+ 3/8	(10)	+ 1/4	(6)
Glass Size	Inside Opening	+ 2 17/64	(58)	+ 2 9/64	(54)
Daylight Opening	Inside Opening	+ 2 23/64	(60)	+ 3 1/2	(89)

**Certification Sizes and Ratings**

Product	Air Tested to PSF	Water Tested to psf	Design Pressure (DP)	Certification Rating	Max Overall Frame Width		Max Overall Frame Height	
					in	mm	in	mm
Vivid Direct Glaze	1.57	7.52	50	CW-PG50-FW	120	(3048)	72 57/64	(1851)
Vivid Direct Glaze	1.57	7.52	50	CW-PG50-FW	105 57/64	(2690)	85 25/64	(2169)

Standard Size Chart (Rectangles)

Standard Direct Glaze Unit Measurements												
Width												
Call Number	Masonry Opening		Rough Opening		Inside Opening		Frame Size		Glass OM		Daylight Opening	
	ft-in	mm	ft-in	mm	ft-in	mm	ft-in	mm	ft-in	mm	in	mm
16	1-5 1/2	(445)	1-6	(457)	1-5 3/8	(441)	1-5	(432)	1-3 7/64	(384)	1-1 3/4	(349)
18	1-7 1/2	(495)	1-8	(508)	1-7 3/8	(492)	1-7	(483)	1-5 7/64	(435)	1-3 3/4	(400)
20	1-11 1/2	(597)	2-0	(610)	1-11 3/8	(594)	1-11	(584)	1-9 7/64	(536)	1-7 3/4	(502)
25	2-4 1/2	(724)	2-5	(737)	2-4 3/8	(721)	2-4	(711)	2-2 7/64	(663)	2-0 3/4	(629)
26	2-5 1/2	(749)	2-6	(762)	2-5 3/8	(746)	2-5	(737)	2-3 7/64	(689)	2-1 3/4	(654)
29	2-8 1/2	(826)	2-9	(838)	2-8 3/8	(822)	2-8	(813)	2-6 7/64	(765)	2-4 3/4	(730)
30	2-11 1/2	(902)	3-0	(914)	2-11 3/8	(899)	2-11	(889)	2-9 7/64	(841)	2-7 3/4	(807)
36	3-5 1/2	(1054)	3-6	(1067)	3-5 3/8	(1051)	3-5	(1041)	3-3 7/64	(993)	3-1 3/4	(959)
40	3-11 1/2	(1207)	4-0	(1219)	3-11 3/8	(1203)	3-11	(1194)	3-9 7/64	(1146)	3-7 3/4	(1111)
46	4-5 1/2	(1359)	4-6	(1372)	4-5 3/8	(1356)	4-5	(1346)	4-3 7/64	(1298)	4-1 3/4	(1264)
50	4-11 1/2	(1511)	5-0	(1524)	4-11 3/8	(1508)	4-11	(1499)	4-9 7/64	(1451)	4-7 3/4	(1416)
56	5-5 1/2	(1664)	5-6	(1676)	5-5 3/8	(1661)	5-5	(1651)	5-3 7/64	(1603)	5-1 3/4	(1569)
60	5-11 1/2	(1816)	6-0	(1829)	5-11 3/8	(1813)	5-11	(1803)	5-9 7/64	(1755)	5-7 3/4	(1721)
66	6-5 1/2	(1969)	6-6	(1981)	6-5 3/8	(1965)	6-5	(1956)	6-3 7/64	(1908)	6-1 3/4	(1873)
70	6-11 1/2	(2121)	7-0	(2134)	6-11 3/8	(2118)	6-11	(2108)	6-9 7/64	(2060)	6-7 3/4	(2026)
76	7-5 1/2	(2273)	7-6	(2286)	7-5 3/8	(2270)	7-5	(2261)	7-3 7/64	(2213)	7-1 3/4	(2178)
80	7-11 1/2	(2426)	8-0	(2438)	7-11 3/8	(2423)	7-11	(2413)	7-9 7/64	(2365)	7-7 3/4	(2331)
86	8-5 1/2	(2578)	8-6	(2591)	8-5 3/8	(2575)	8-5	(2565)	8-3 7/64	(2517)	8-1 3/4	(2483)
90	8-11 1/2	(2731)	9-0	(2743)	8-11 3/8	(2727)	8-11	(2718)	8-9 7/64	(2670)	8-7 3/4	(2635)
96	9-5 1/2	(2883)	9-6	(2896)	9-5 3/8	(2880)	9-5	(2870)	9-3 7/64	(2822)	9-1 3/4	(2788)
100	9-11 1/2	(3035)	10-0	(3048)	9-11 3/8	(3032)	9-11	(3023)	9-9 7/64	(2975)	9-7 3/4	(2940)

Standard Direct Glaze Unit Measurements												
Height												
Call Number	Masonry Opening		Rough Opening		Inside Opening		Frame Size		Glass OM		Daylight Opening	
	ft-in	mm	ft-in	mm	ft-in	mm	ft-in	mm	ft-in	mm	in	mm
16	1-5 3/4	(451)	1-6	(457)	1-5 3/4	(451)	1-5 1/2	(445)	1-3 39/64	(396)	1-2 1/4	(362)
18	1-7 3/4	(502)	1-8	(508)	1-7 3/4	(502)	1-7 1/2	(495)	1-5 39/64	(447)	1-4 1/4	(413)
20	1-11 3/4	(603)	2-0	(610)	1-11 3/4	(603)	1-11 1/2	(597)	1-9 39/64	(549)	1-8 1/4	(515)
26	2-5 3/4	(756)	2-6	(762)	2-5 3/4	(756)	2-5 1/2	(749)	2-3 39/64	(701)	2-2 1/4	(667)
30	2-11 3/4	(908)	3-0	(914)	2-11 3/4	(908)	2-11 1/2	(902)	2-9 39/64	(854)	2-8 1/4	(819)
36	3-5 3/4	(1060)	3-6	(1067)	3-5 3/4	(1060)	3-5 1/2	(1054)	3-3 39/64	(1006)	3-2 1/4	(972)
40	3-11 3/4	(1213)	4-0	(1219)	3-11 3/4	(1213)	3-11 1/2	(1207)	3-9 39/64	(1158)	3-8 1/4	(1124)
46	4-5 3/4	(1365)	4-6	(1372)	4-5 3/4	(1365)	4-5 1/2	(1359)	4-3 39/64	(1311)	4-2 1/4	(1277)
50	4-11 3/4	(1518)	5-0	(1524)	4-11 3/4	(1518)	4-11 1/2	(1511)	4-9 39/64	(1463)	4-8 1/4	(1429)
56	5-5 3/4	(1670)	5-6	(1676)	5-5 3/4	(1670)	5-5 1/2	(1664)	5-3 39/64	(1616)	5-2 1/4	(1581)
60	5-11 3/4	(1822)	6-0	(1829)	5-11 3/4	(1822)	5-11 1/2	(1816)	5-9 39/64	(1768)	5-8 1/4	(1734)
66	6-5 3/4	(1975)	6-6	(1981)	6-5 3/4	(1975)	6-5 1/2	(1969)	6-3 39/64	(1920)	6-2 1/4	(1886)
70	6-11 3/4	(2127)	7-0	(2134)	6-11 3/4	(2127)	6-11 1/2	(2121)	6-9 39/64	(2073)	6-8 1/4	(2039)
76	7-5 3/4	(2280)	7-6	(2286)	7-5 3/4	(2280)	7-5 1/2	(2273)	7-3 39/64	(2225)	7-2 1/4	(2191)
80	7-11 3/4	(2432)	8-0	(2438)	7-11 3/4	(2432)	7-11 1/2	(2426)	7-9 39/64	(2378)	7-8 1/4	(2343)
86	8-5 3/4	(2584)	8-6	(2591)	8-5 3/4	(2584)	8-5 1/2	(2578)	8-3 39/64	(2530)	8-2 1/4	(2496)
90	8-11 3/4	(2737)	9-0	(2743)	8-11 3/4	(2737)	8-11 1/2	(2731)	8-9 39/64	(2682)	8-8 1/4	(2648)
96	9-5 3/4	(2889)	9-6	(2896)	9-5 3/4	(2889)	9-5 1/2	(2883)	9-3 39/64	(2835)	9-2 1/4	(2801)
100	9-11 3/4	(3042)	10-0	(3048)	9-11 3/4	(3042)	9-11 1/2	(3035)	9-9 39/64	(2987)	9-8 1/4	(2953)

**STC/OITC Charts**

**Performance Chart**

Frame Type	Exterior Pane (mm)	Airspace (mm)	Interior Glazing or Center Glazing (mm)	Airspace (mm)	Interior Glazing (mm)	STC	OITC
VDG	1/8" (3.1)	1/2" (13.0)	1/8" (3.1)	--	--	27	23
	1/8" (3.1)	7/16" (11.5)	3/16" (4.7)	--	--	30	26
	1/8" (3.1)	7/16" (11.5)	1/4" (6.0L)	--	--	32	27
	3/16" (4.7)	7/16" (11.5)	1/4" (6.0L)	--	--	34	29
	7/32" (5.7)	7/16" (11.5)	1/4" (6.0L)	--	--	32	27
	1/8" (3.1)	3/8" (9.8)	1/8" (3.1)	3/8" (9.8)	1/8" (3.1)	27	23
	3/16" (4.7)	3/8" (9.8)	3/16" (4.7)	3/8" (9.8)	3/16" (4.7)	32	26



## Mulling Information

### Mulling Guidelines and Performance Ratings

- Two Mull Systems:
  - Standard Mull: includes mull pin, sealing tape, installation brackets, exterior and interior trim.
  - 1/2" Mull Reinforcement (MRF): 1/2" space mull includes interlocking opposing mull pins, sealing weather strip, installation brackets, exterior and interior trim.
- Prep for field mull option.
  - Jamb Extensions will be shipped separate.
  - Assemblies will be prepared for field mulling by applying as many of the components as possible and providing the required mulling kits automatically. Kits include instructions, mull covers, mull plugs and brackets, shipped separate.

### Performance Ratings

The total configuration rating is the lowest performance between the units in the mull and the mullion itself. For example, PG50 windows attached with a PG25 mullion have an assembly rated to PG25.

#### Standard Mull (PG25)

- Vertical (Ribbon) Mull
  - **Maximum Factory Assembled (by Frame Size):** not to exceed 144" (3658) x 96" (2438)
  - **Maximum Certified Continuous Span x Tributary Width (Frame Size):** not to exceed 96" (2438) x 72" (1829)
- Horizontal (Stacked) Mulls
  - **Maximum Factory Assembled (by Frame Size):** not to exceed 96" (2438) x 96" (2438)
  - **Maximum Certified Continuous Span x Tributary Width (Frame Size):** not to exceed 96" (3658) x 72" (1829)
- Multi-Wide x Multi-High Mulls: Not Available.

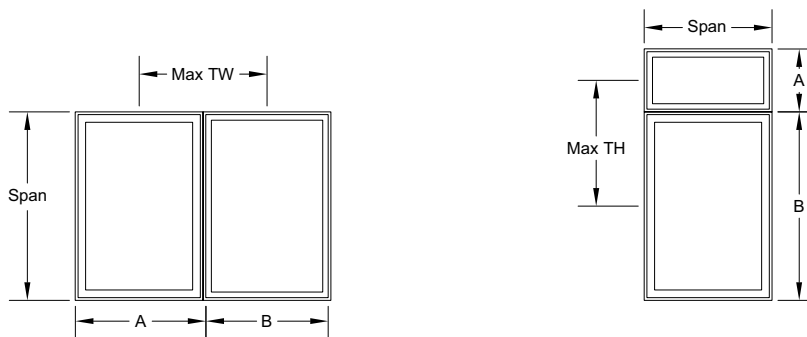
#### Mull Reinforcement (PG40)

- Vertical (Ribbon) Mulls
  - **Maximum Factory Assembled (by Frame Size):** not to exceed 144" (3657) x 96" (2438)
  - **Maximum Certified Continuous Span x Tributary Width (Frame Size):** not to exceed 96" (2438) x 72 1/2" (1841)
- Horizontal (Stacked) Mulls
  - **Maximum Factory Assembled (by Frame Size):** not to exceed 96" (2438) x 96" (2438)
  - **Maximum Certified Continuous Span x Tributary Width (Frame Size):** not to exceed 96" (2438) x 72 1/2" (1841)

#### Mull Reinforcement (PG50)

- Vertical (Ribbon) Mulls
  - **Maximum Factory Assembled (by Frame Size):** not to exceed 112 1/2" (2857) x 96" (2438)
  - **Maximum Certified Continuous Span x Tributary Width (Frame Size):** not to exceed 96" (2438) x 56 1/2" (1435)
- Horizontal (Stacked) Mulls
  - **Maximum Factory Assembled (by Frame Size):** not to exceed 96" (2438) x 96" (2438)
  - **Maximum Certified Continuous Span x Tributary Width (Frame Size):** not to exceed 96" (2438) x 56 1/2" (1435)
- Multi-Wide x Multi-High Mulls
  - **Maximum Factory Assembled (by Frame Size):** not to exceed 96" (2438) x 96" (2438)
  - **Maximum Certified Continuous Span x Tributary Width (Frame Size):** not to exceed 96" (2438) x 48 1/4" (1225)

Tributary Width (TW) or Height (TH) =  $(A+B)/2+(S)$ , where (S) = 0 for Standard Mulls and (S)=1/2" for MRF Mulls. (S) is not Span, but it is the space between mulls.



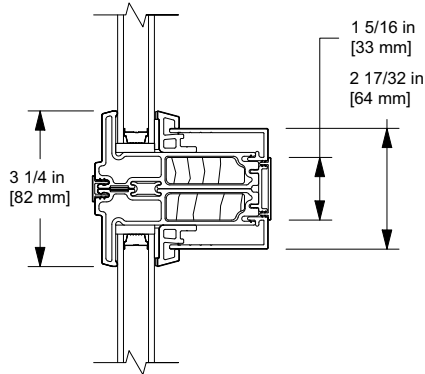
NOTE: Field mulling window assemblies beyond the above limitations is not recommended and not certified.

**Mulling Information**

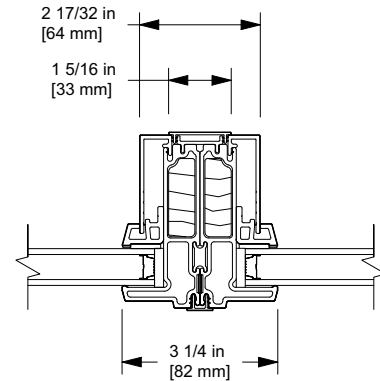
**Section Details**

**Standard Mull (Frame-to-Frame)**

- Mull certification includes 6" split mull gussets for field mulls or 12" mull gussets for factory mulls at all mull joints.
- Configurations not offered: Stepped mulls, Palladians.

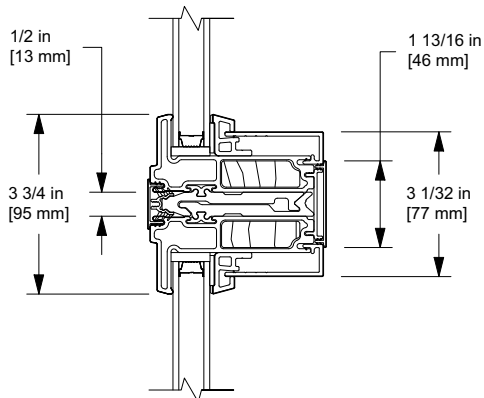


Horizontal Standard Mull

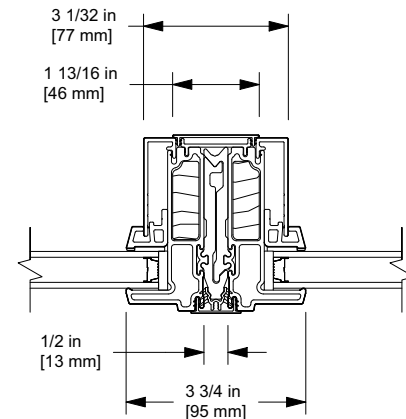


Vertical Standard Mull

**Mull Reinforcement (MRF)**



Horizontal Mull Reinforcement



Vertical Mull Reinforcement

**Mulling Special Shapes**

- Mullions limited to horizontal or vertical frame members only (no mulling of slopes/hypotenuse members)
- Mullions involving special shapes are offered as Prep-for-Field mulling only

In the illustrations below, mulls in GREEN can be mulled in the factory. Mulls shown in BLUE are available with "prep for field mulling only."

**Standard Mulling (Frame-to-Frame)**

- Vertical (Ribbon) or Horizontal (Stacked) configurations available.
- No Multi-High x Multi-Wide configurations

**Horizontal (Stacked)**

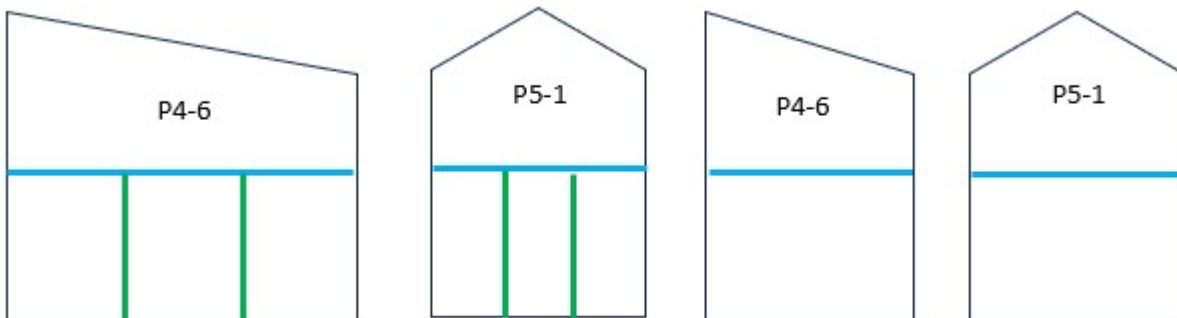


**Vertical (Ribbon)**

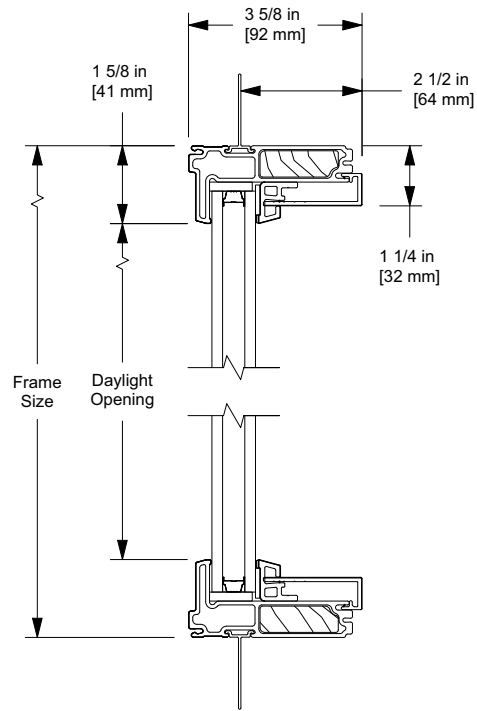


**Mull Reinforcement (MRF)**

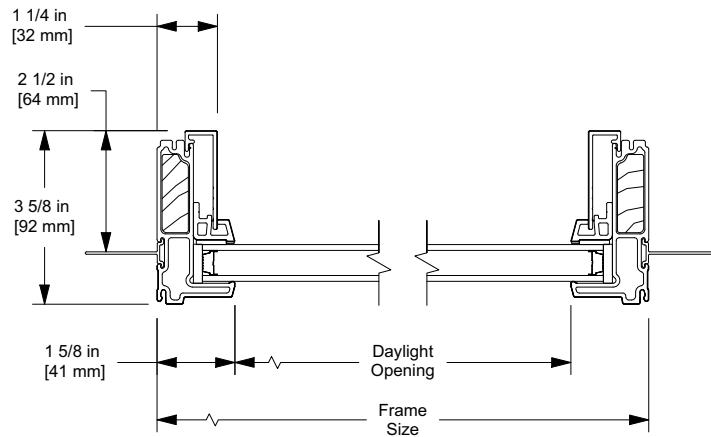
- Horizontal (Stacked) or Multi-Wide x Multi-High configurations available.
- Mulling of P3-1, P3-2, and P3-5 not allowed
- Mulling allowed only to the sill member of P4-5, P4-6 and P5-1 shapes.



**Section Details: Dual Pane IG**

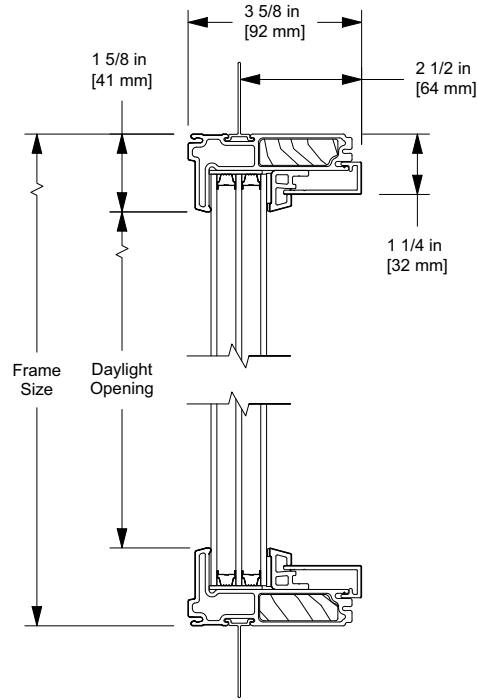


**Head Jamb and Sill**

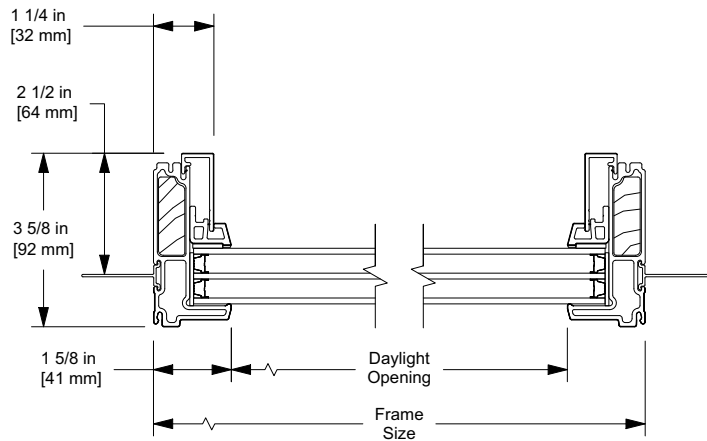


**Side Jamb**

**Section Details: Triple Pane IG**

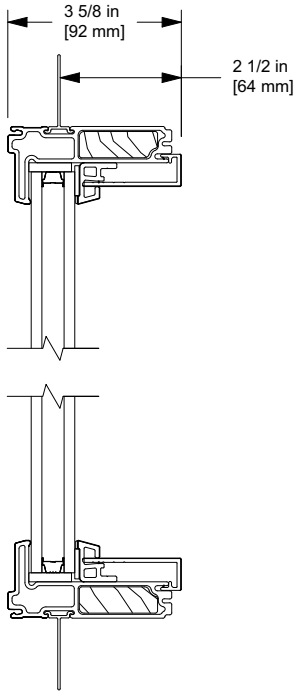


**Head Jamb and Sill**

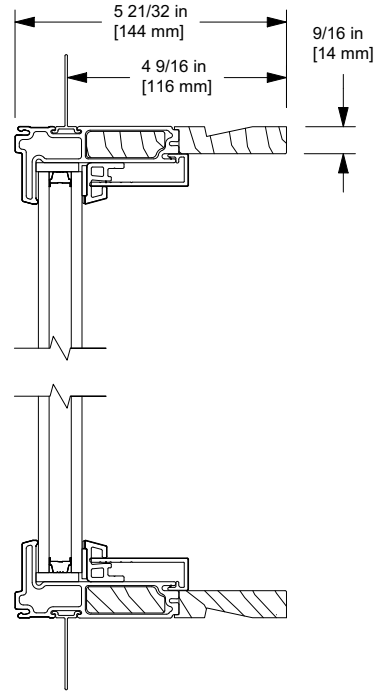


**Side Jambs**

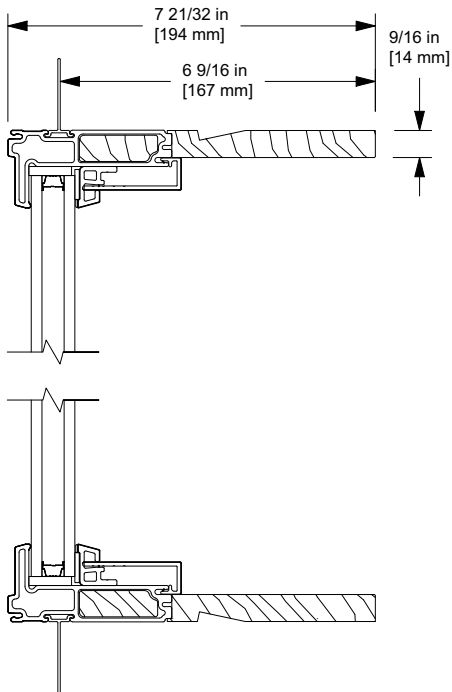
**Jamb Extension Options**



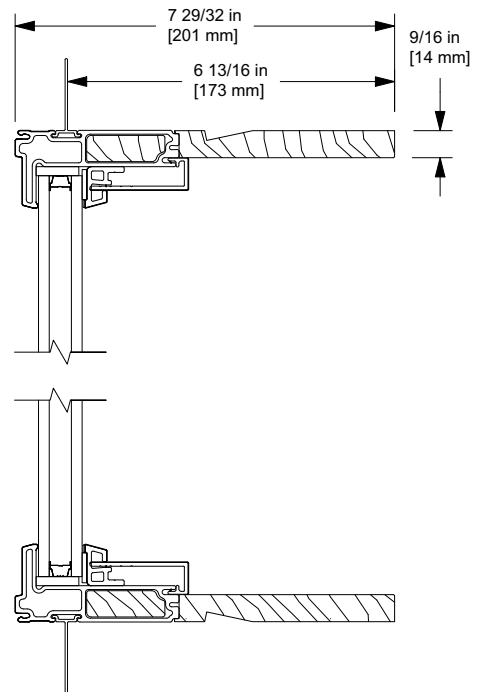
Standard Jamb Depth



4 9/16 inch Jamb

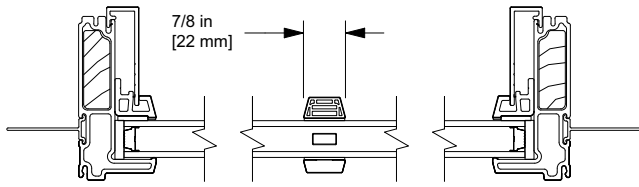


6 9/16 inch Jamb

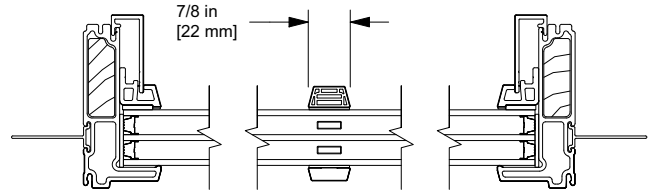


6 13/16 inch Jamb

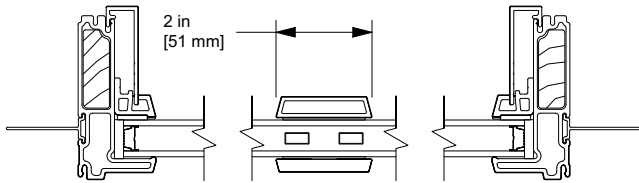
**Divided Lite Options**



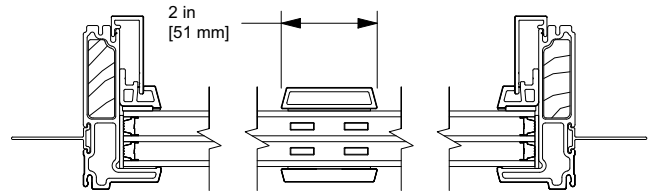
SDL, 7/8 inch



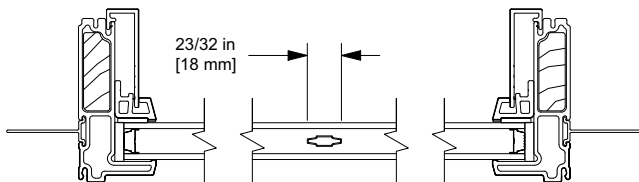
SDL, 7/8 inch



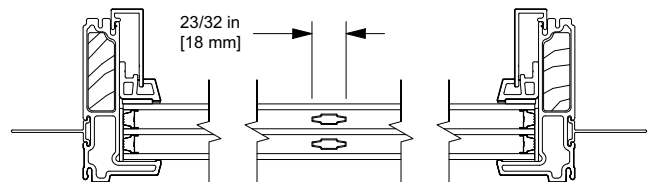
Simulated Check Rail



Simulated Check Rail



GBG, Contoured



GBG, Contoured

**Divided Lite Patterns**

**Default Rectangular Lite Pattern - GBG or SDLS**

Standard CN Height	Standard CN Width													
	16	18	20	25	26	29	30	36	40	46	50	56	60	66
16	2W2H	2W2H	2W2H	3W2H	3W2H	3W2H	3W2H	4W2H	4W2H	5W2H	5W2H	6W2H	6W2H	7W2H
18	2W2H	2W2H	2W2H	3W2H	3W2H	3W2H	3W2H	4W2H	4W2H	5W2H	5W2H	6W2H	6W2H	7W2H
20	2W2H	2W2H	2W2H	3W2H	3W2H	3W2H	3W2H	4W2H	4W2H	5W2H	5W2H	6W2H	6W2H	7W2H
26	2W2H	2W2H	2W2H	3W2H	3W2H	3W2H	3W2H	4W2H	4W2H	5W2H	5W2H	6W2H	6W2H	7W2H
30	2W2H	2W2H	2W2H	3W2H	3W2H	3W2H	3W2H	4W2H	4W2H	5W2H	5W2H	6W2H	6W2H	7W2H
36	2W3H	2W3H	2W3H	3W3H	3W3H	3W3H	3W3H	4W3H	4W3H	5W3H	5W3H	6W3H	6W3H	7W3H
40	2W3H	2W3H	2W3H	3W3H	3W3H	3W3H	3W3H	4W3H	4W3H	5W3H	5W3H	6W3H	6W3H	7W3H
46	2W4H	2W4H	2W4H	3W4H	3W4H	3W4H	3W4H	4W4H	4W4H	5W4H	5W4H	6W4H	6W4H	7W4H
50	2W4H	2W4H	2W4H	3W4H	3W4H	3W4H	3W4H	4W4H	4W4H	5W4H	5W4H	6W4H	6W4H	7W4H
56	2W5H	2W5H	2W5H	3W5H	3W5H	3W5H	3W5H	4W5H	4W5H	5W5H	5W5H	6W5H	6W5H	7W5H
60	2W5H	2W5H	2W5H	3W5H	3W5H	3W5H	3W5H	4W5H	4W5H	5W5H	5W5H	6W5H	6W5H	7W5H
66	2W6H	2W6H	2W6H	3W6H	3W6H	3W6H	3W6H	4W6H	4W6H	5W6H	5W6H	6W6H	6W6H	7W6H
70	2W6H	2W6H	2W6H	3W6H	3W6H	3W6H	3W6H	4W6H	4W6H	5W6H	5W6H	6W6H	6W6H	7W6H
76	2W7H	2W7H	2W7H	3W7H	3W7H	3W7H	3W7H	4W7H	4W7H	5W7H	5W7H	6W7H	6W7H	7W7H
80	2W7H	2W7H	2W7H	3W7H	3W7H	3W7H	3W7H	4W7H	4W7H	5W7H	5W7H	6W7H	6W7H	7W7H
86	2W8H	2W8H	2W8H	3W8H	3W8H	3W8H	3W8H	4W8H	4W8H	5W8H	5W8H	6W8H	6W8H	7W8H
90	2W8H	2W8H	2W8H	3W8H	3W8H	3W8H	3W8H	4W8H	4W8H	5W8H	5W8H	6W8H	6W8H	7W8H
96	2W9H	2W9H	2W9H	3W9H	3W9H	3W9H	3W9H	4W9H	4W9H	5W9H	5W9H	6W9H	6W9H	7W9H
100	2W9H	2W9H	2W9H	3W9H	3W9H	3W9H	3W9H	4W9H	4W9H	5W9H	5W9H	6W9H	6W9H	7W9H

**Optional Standard Cottage Pattern - GBG or SDLS**

Standard CN Height	Standard CN Width													
	16	18	20	25	26	29	30	36	40	46	50	56	60	66
All Heights	4-Lite	4-Lite	4-Lite	4-Lite	4-Lite	4-Lite	4-Lite	5-Lite	5-Lite	6-Lite	6-Lite	7-Lite	8-Lite	8-Lite

**Default Rectangular Lite Pattern - GBG or SDLS**

Standard CN Height	Standard CN Width						
	70	76	80	86	90	96	100
16	7W2H	8W2H	8W2H	9W2H	9W2H	10W2H	10W2H
18	7W2H	8W2H	8W2H	9W2H	9W2H	10W2H	10W2H
20	7W2H	8W2H	8W2H	9W2H	9W2H	10W2H	10W2H
26	7W2H	8W2H	8W2H	9W2H	9W2H	10W2H	10W2H
30	7W2H	8W2H	8W2H	9W2H	9W2H	10W2H	10W2H
36	7W3H	8W3H	8W3H	9W3H	9W3H	10W3H	10W3H
40	7W3H	8W3H	8W3H	9W3H	9W3H	10W3H	10W3H
46	7W4H	8W4H	8W4H	9W4H	9W4H	10W4H	10W4H
50	7W4H	8W4H	8W4H	9W4H	9W4H	10W4H	10W4H
56	7W5H	8W5H	8W5H	9W5H	9W5H	10W5H	10W5H
60	7W5H	8W5H	8W5H	9W5H	9W5H	10W5H	10W5H
66	7W6H	8W6H	8W6H	9W6H	9W6H	10W6H	10W6H
70	7W6H	8W6H	8W6H	9W6H	9W6H	10W6H	10W6H
76	7W7H	8W7H	8W7H	9W7H	9W7H	10W7H	10W7H
80	7W7H	8W7H	8W7H	9W7H	9W7H	10W7H	10W7H
86	7W8H	8W8H	8W8H	9W8H	9W8H	10W8H	10W8H
90	7W8H	8W8H	8W8H	9W8H	9W8H	10W8H	10W8H
96	7W9H	8W9H	8W9H	9W9H	9W9H	10W9H	10W9H
100	7W9H	8W9H	8W9H	9W9H	9W9H	10W9H	10W9H

**Optional Standard Cottage Pattern - GBG or SDLS**

Standard CN Height	Standard CN Width						
	70	76	80	86	90	96	100
All Heights	9-Lite	9-Lite	10-Lite	10-Lite	11-Lite	11-Lite	12-Lite

**Divided Lite Patterns**

<b>Lite Pattern</b>	<b>Minimum DLO (GBG)</b>	<b>Minimum DLO (SDL)</b>
Rectangular	3"	4"
9-Lite Prairie	4"	4"
6-Lite Top or Bottom Prairie	4"	4"
6-Lite LH or RH Prairie	4"	4"
Prairie 4 Left Bottom	4"	4"
Prairie 4 Right Bottom	4"	4"
Prairie 4 Left Top	4"	4"
Prairie 4 Right Top	4"	4"
Cottage 1H or 2H	3"	4"
Trellis Horizontal	4"	4"

**NOTES:**

- GBGs and SDLS are available on rectangle shapes only.
- Available GBG and SDLS lite cuts are rectangular equal lites, Prairie patterns, and Cottage Style patterns.
- Special size direct glaze rectangle units with rectangular lite patterns will have equally spaced lites and may not align with the standard unit GBGs and SDLS unless specified at the time of the order.
- Prairie available in 9 lite 6 lite and 4 lite top, bottom, left, and right patterns.
- Cottage GBGs and SDLS for special sizes units will default to the next smaller standard size lite pattern. Cottage GBGs and SDL are also available in customer selected lite patterns.
- Trellis Horizontal GBGs and SDLS are also available in customer selected lite patterns.
- Special size direct glaze rectangle units with Prairie lite patterns will default to 4" Daylight Opening (DLO) corners and may not align with the standard unit Prairie GBGs unless specified at the time of the order.
- Special size direct glaze rectangle with Cottage lite cuts will default to 10" Daylight Opening (DLO) height and may not align with the standard unit Cottage GBG unless specified at the time of the order.
- GBGs are not available with an unsupported bar length > 72"
- Simulated Rail: Rectangular, Prairie 6-Lite and 9-Lite SDL patterns are available with Simulated Rail.
- Simulated Rail: Custom ratio and specified DLO are available with Simulated Rail and will be validated by OMS.