



# Vivid Direct Glaze

## Replacement Parts

Specifications and technical data are subject to change without notice.

Numbers listed in ( ) parentheses are metric equivalents in millimeters rounded to the nearest whole number.

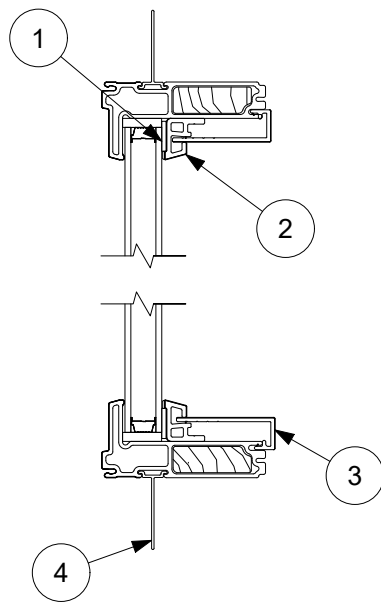
Suggested fasteners are not included and must be ordered separately.

Illustrations are not to scale.

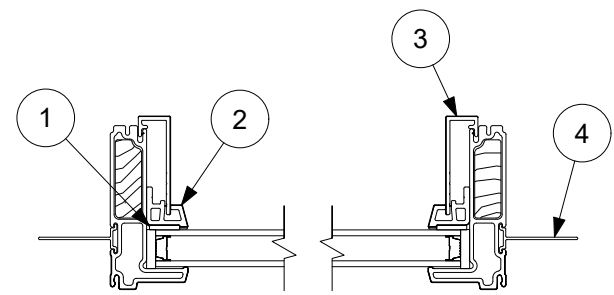
## Contents

Product History.....	2
Part Identification - Direct Glaze.....	3
Glass Replacement - Configured Parts in OMS.....	4
Glass Replacement Parts - Configured Parts in OMS.....	5
Glass Replacement .....	6
Weather Strip.....	7

Produced	Unit Type	Features and Changes
2025	Direct Glaze	09/29/2025: Introduced Vivid Direct Glaze



Head Jamb and Sill Detail



Jamb Detail

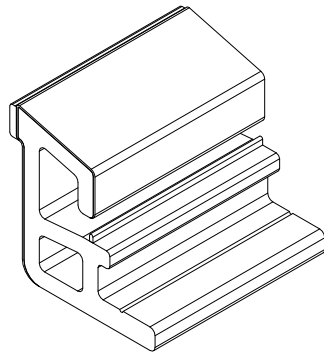
- 1. Glazing Tape
- 2. Glazing Bead, Beveled, H1064
- 3. Screw Cover, 1 5/8", H1069 or 2 1/16", H1068
- 4. Nail Fin

**Ordering specifications (use all that apply):**

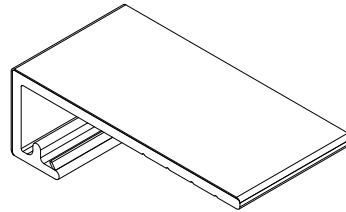
1. OM of frame or glass
2. Glazing
3. Interior color
4. GBG or SDL pattern

## Ordering specifications for Configured Parts in OMS:

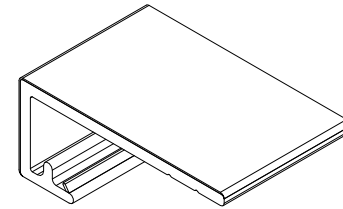
1. Product and Unit type
2. Component
3. Interior and exterior color
4. Application type (full frame or insert)
5. Unit size (call number, rough opening or frame size)
6. Location (from exterior)
  - a. Top
  - b. Sill
  - c. Left jamb
  - d. Right jamb



**Glazing Bead, Beveled, H1064**



**Screw Cover, 2 1/16\", H1068**

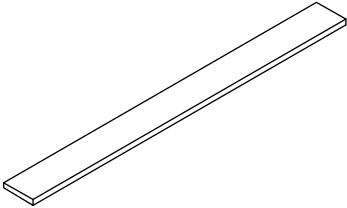


**Screw Cover, 1 5/8\", H1069**

Suggested Fasteners - Glazing Bead	PN
1/ft of material- #8-15 x 3/4\", Type A-17, Full Thread Screw	11805321

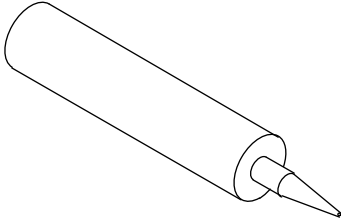
# Glazing Tape

Length	PN
Specify LF	11406212



# Silicone Tube

Direct Glaze Rectangle Dow 995	
Color	PN
Black	11407064



# Standard Mull Tape

Color	Length	PN
Black	100 ft	10500050

